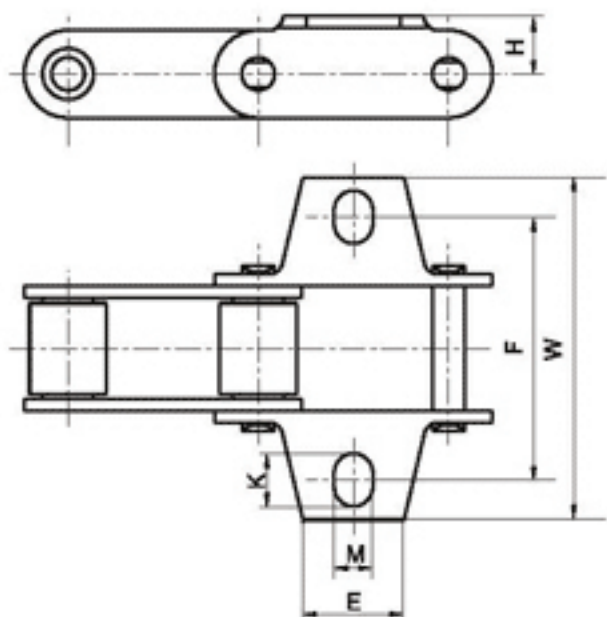
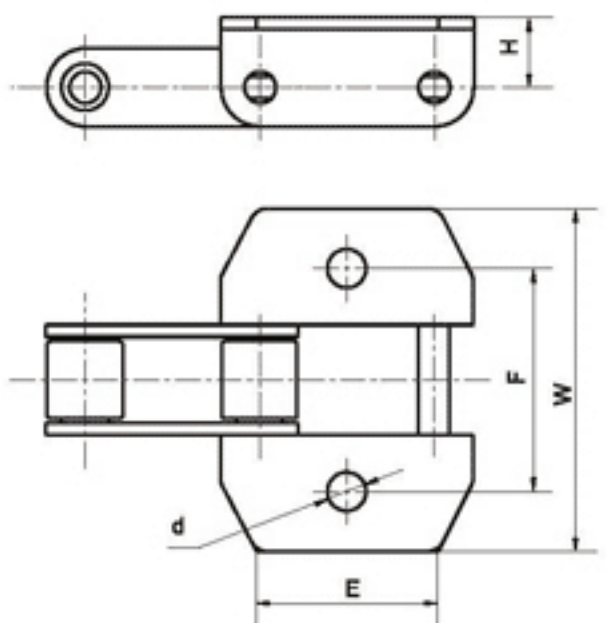


CA系列农用滚子链附件

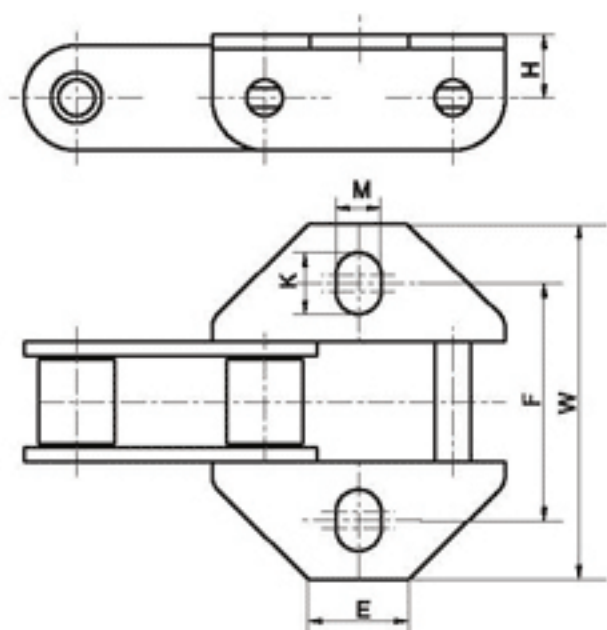
CA Series Agricultural Roller Chains - Attachments



Type	链号 Chain No.	F mm	M mm	K mm	W mm	E mm	H mm
BK ₁	CA550	54	8.35	11.55	71.4	22.2	12.7
K30		50.8	8.33	11.55	71.4	22.2	12.7



Type	链号 Chain No.	F mm	d mm	W mm	E mm	H mm
220B	CA550V	54	8.7	76.2	30	12.7
BK ₁	CA824	56.8	10.5	81.7	38	16



Type	链号 Chain No.	F mm	M mm	K mm	W mm	E mm	H mm
BK ₁₃	CA557	53	10	13.5	79	22	14
220BH	CA550V	52.6	8.3	10.2	76.2	30	12.7