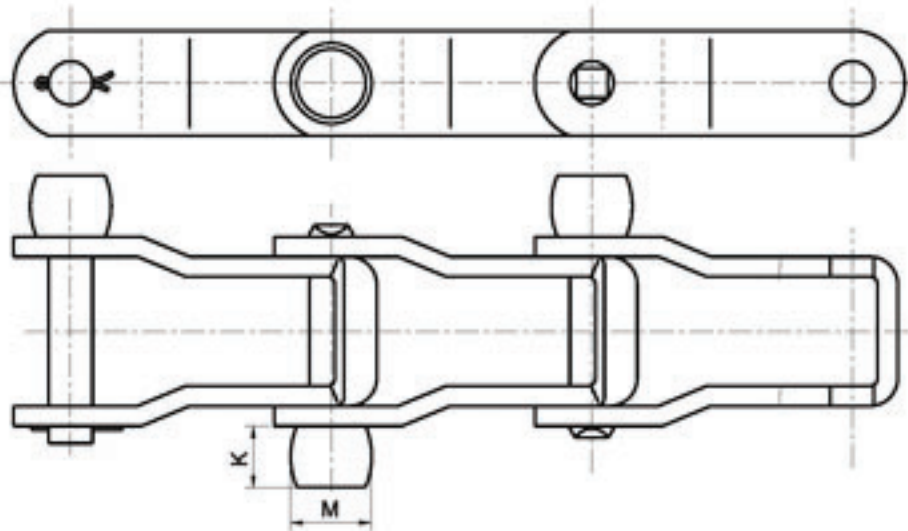
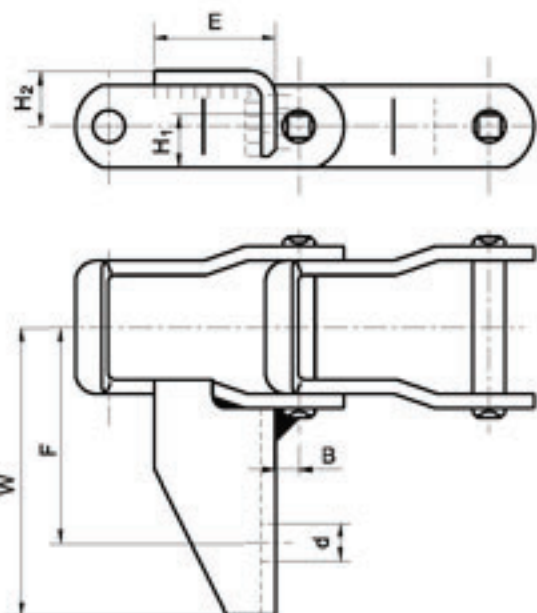


# 钢制销合链附件

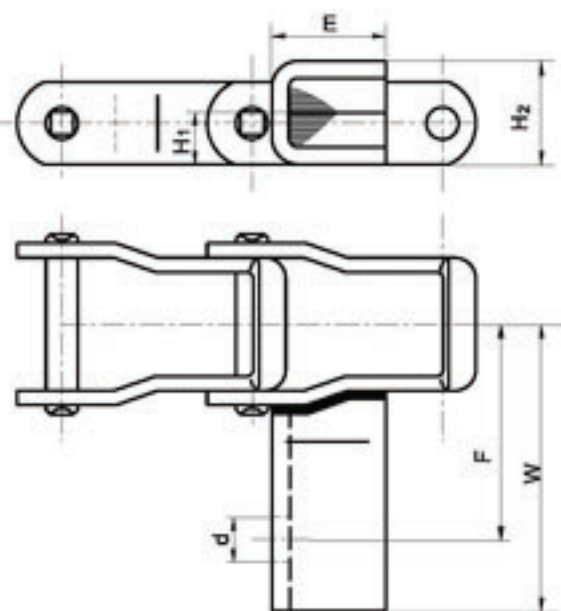
## Steel Pintle Chains - Attachments



Type	链号 Chain No.	K mm	M mm
BRH	88K	15.5	20.65



Type	链号 Chain No.	H <sub>1</sub> mm	H <sub>2</sub> mm	E mm	B mm	F mm	W mm	d mm
G38	662	11.9	12.35	28.6	5.2	49.2	59.5	8.33



Type	链号 Chain No.	H <sub>1</sub> mm	H <sub>2</sub> mm	E mm	F mm	W mm	d mm
G50	662	11.1	22.2	25.4	39.7	54.8	9.91