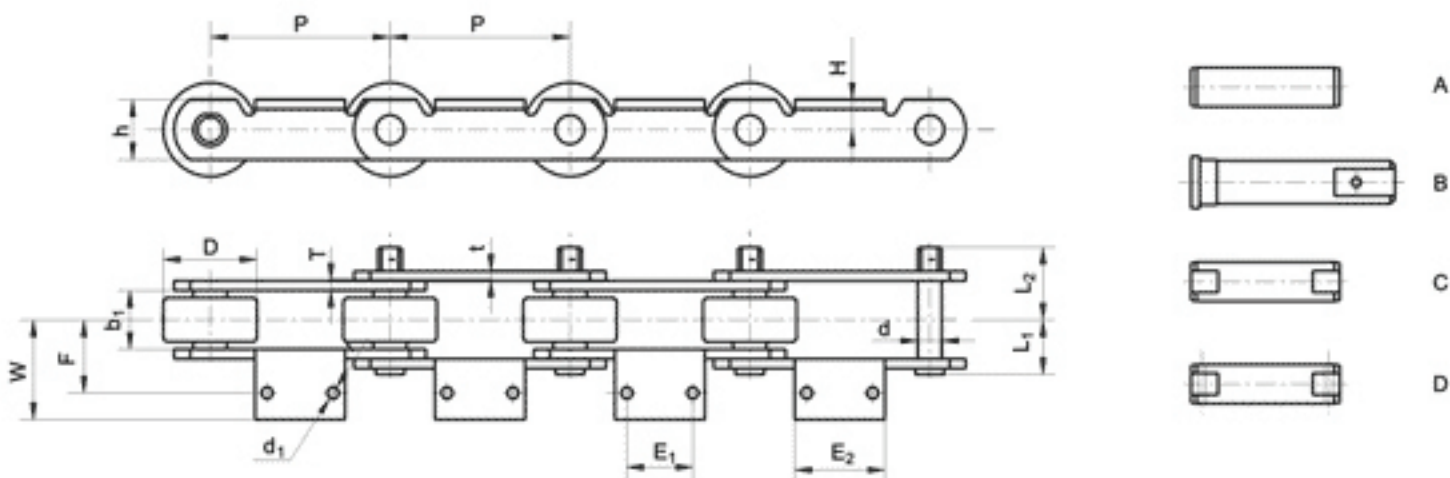


啤酒灌装线滚子输送链·洗瓶机链

Beer Canned Line Roller Conveyor Chains · Bottle Washer Chains



链号 Chain No.	F mm	E ₁ mm	E ₂ mm	W mm	H mm	d ₁ mm	型号 Type
CK-139.7-SK2	34.8	50.8	76.2	49.7	20.5	12.2	A
CK-150XA	55	55	75	77.2	25	M12	B
CK-155XA	55	65	84	69	30.5	M12	C
CK-160X	61.5	70	104	74.1	36	13	A
CK-160XA	50	60	90	68	30	M12	C
CK-160XC	58.5	70	104	71.2	35	13	A
CK-160XD	56	80	104	70	30	M10	C
CK-160XE	57.5	80	104	70	30.5	M10	C
CK-169XA	55	50	115	72	30	13	D

链号 Chain No.	节距 Pitch P mm	内节内宽 Width between inner plates b ₁ (min) mm	滚子 外径 Roller diameter D (max) mm	销轴 Pin			链板 Plate		最小抗拉 强度 Ultimate tensile strength Q (min) kN	每米净重 Weight per meter q kg/m
				d mm	L ₁ mm	L ₂ mm	h mm	UT mm		
CK-139.7-SK2	139.7	21.6	63	14.5	27.6	34.1	32	4.8/8	130	8.4
CK-150XA	150	37	78	20	39.3	55.3	50	8	210	18.7
CK-155XA	155	38	97	25	42.5	47.5	60	8	346	25
CK-160X	160	36	75	18	39	44	45	8	116	16.1
CK-160XA	160	33.7	80	20	38	43	50	8	210	17.4
CK-160XC	160	36	75	18	39	44	45	8	116	16
CK-160XD	160	42.8	89	20	42.15	57.25	60	8	280	22.5
CK-160XE	160	42.8	89	20	42.15	46.15	61	8	280	22.6
CK-169XA	169	30	90	25	41.5	41.5	60	8	224	19