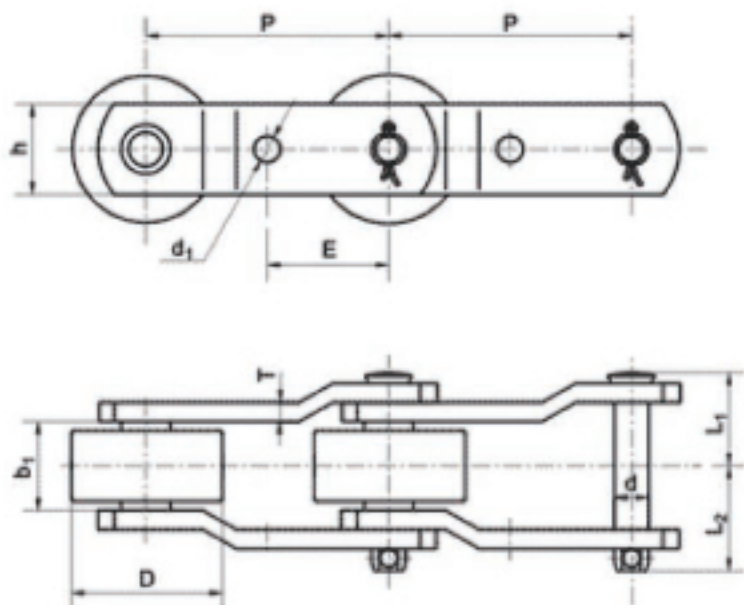


啤酒灌装线滚子输送链·洗瓶机链

Beer Canned Line Roller Conveyor Chains · Bottle Washer Chains



| 链号 Chain No. | E mm | d ₁ mm |
|--------------------|---------|----------------------|
| CW-102 | 51 | 11 |
| CW-102A | 51 | 11 |
| CW-102B | 51 | 11 |
| CW-101.6C | 50.8 | 11 |
| CW-127 | 63.5 | 11 |
| CW-127C | 61.4 | 10.4 |
| CW-152 | 76 | 11 |
| CW-155 | 77.5 | 10.3 |
| CW-160 | 80 | 11 |
| CW-190 | 95 | 11 |

| 链号 Chain No. | 节距 Pitch P mm | 窄端内宽 Inside width at narrow end b ₁ (min) mm | 滚子外径 Roller diameter D (max) mm | 销轴 Pin | | | 链板 Plate | | 最小抗拉 强度 Ultimate tensile strength Q (min) kN | 每米净重 Weight per meter q kg/m |
|--------------------|------------------------|---|---|-----------|----------------------|----------------------|-------------|---------|--|---|
| | | | | d mm | L ₁ mm | L ₂ mm | h mm | T mm | | |
| CW-102 | 102 | 24 | 63.5 | 14.32 | 32.2 | 38.8 | 37.5 | 9 | 112 | 13.3 |
| CW-102A | 102 | 22.6 | 63.5 | 14.32 | 29.2 | 35.3 | 38.1 | 8 | 200 | 12.1 |
| CW-102B | 102 | 24 | 63.5 | 14.32 | 32.2 | 38.8 | 38.1 | 9 | 220 | 13.4 |
| CW-101.6C | 101.6 | 24 | 63.5 | 14.32 | 30.1 | 38.8 | 38.1 | 8 | 206 | 12.8 |
| CW-127 | 127 | 24 | 63.5 | 14.32 | 32.2 | 38.8 | 37.5 | 9 | 150 | 11.5 |
| CW-127C | 127 | 24 | 63.5 | 14.32 | 29.1 | 36.9 | 37.5 | 8 | 112 | 10.8 |
| CW-152 | 152 | 31.8 | 76 | 15.88 | 36.6 | 44.4 | 38.1 | 9.5 | 313.6 | 14.7 |
| CW-155 | 155 | 32 | 76.2 | 14.32 | 34 | 40 | 38.1 | 8 | 200 | 12.8 |
| CW-160 | 160 | 31.8 | 76 | 15.88 | 36.6 | 44.4 | 38.1 | 9.5 | 240 | 14.3 |
| CW-190 | 190 | 31.8 | 76 | 15.88 | 36 | 45 | 38.1 | 9.5 | 240 | 12.9 |